

HandHeld

AIRBORNE PARTICLE COUNTER

Our **HandHeld** particle counters are feature-rich instruments that are ideal for spot-checking inside of your critical environments or indoor air quality applications.

The ergonomically designed and lightweight HandHeld particle counters feature 0.2, 0.3, and 0.5 μm sensitivities. This flexible device can be used as a mobile particle monitor or become part of a larger facility monitoring and management system.

Lighthouse HandHeld particle counters can display cumulative and differential particle count and temperature/relative humidity data. The Handheld can hold up to 3,000 records of particle data and store up to 50 recipes for sampling and reports. Removable batteries and an optional charger maximize uptime.

Features

- 0.2 - 25.0 μm Particle Size Channels
- 0.1 CFM Flow Rate
- Up to 6 Channels of simultaneous count data
- 21 CFR Part 11 compliant secure USB flash transfer
- High impact injection molded plastic
- Web functionality to monitor data
- RS-232 via RJ45 to PC or optional printer
- 3,000 record data storage
- Reports: ISO-14644-1 & EU GMP Annex 1
- 2 Year Warranty



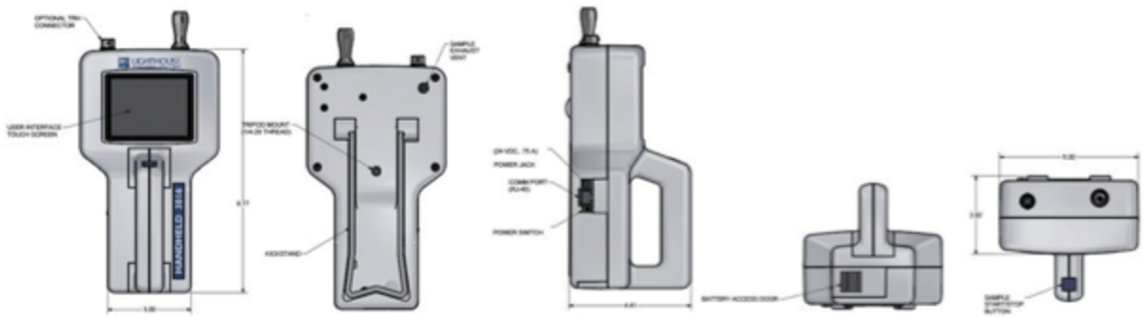
golighthouse.com
info@golighthouse.com

 **LIGHTHOUSE**
WORLDWIDE SOLUTIONS

(Toll-free) 1 800 945 5905
(International) +1 541 770 5905

HandHeld

AEROBIC PARTICLE COUNTER



	HH 2016	HH 3016	HH 3016 IAQ	HH 5016
Minimum Size Detection	0.2 μm	0.3 μm	0.3 μm	0.5 μm
Standard 6 Channel sizes	0.2, 0.3, 0.5, 0.7, 1.0, 2.0 μm	0.3, 0.5, 1.0, 3.0, 5.0, 10.0 μm	0.3, 0.5, 1.0, 2.5, 5.0, 10.0 μm	0.5, 0.7, 1.0, 3.0, 5.0, 10.0 μm
Additional sizes		0.7, 2.0, 2.5, 7.0, 25.0 μm		25.0 μm
Flow Rate / Nozzle Size	0.1 CFM (2.83 LPM),			
Weight	2.2 lbs (1 kg)			
Concentration Limits	8,000,000 Particles/ft ³ @10% Coincidence loss suitable			
Communication	RS-232 via RJ-45 to PC or optional printer			
Count Modes	Automatic, manual, beep, concentration, cumulative/differential			
Data Storage Records	3,000 sample records, rotating buffer, includes particle and environmental data, location, and time			
Alarms	Internal, adjustable alarm on counts, low battery, sensor failure			
Sample Inlet	Isokinetic sampling probe			
Sample Outlet	Internally filtered to HEPA standards (>99.97% @ 0.3 μm)			
Vacuum Source	Internal pump, automatic flow control			
Environmental Sensors	Direct Mount Temperature/Relative Humidity probe: 0-150°F (-17.8 to 65.6°C)±1.8°F@77°F, 0-100% ± 5%@33%			
Enclosure	High impact injection molded plastic			
Power	External power supply: 12 VDC, 1.25 A			
Battery	Li-Ion, removable and rechargeable			
Light Source	Extreme Life Laser Diode			
Calibration	ISO 21501-4 Compliant and Accredited ISO 17025			
Zero Count Level	< 1 Count / 5 minutes (meets specifications of JIS B 9921 and reporting requirements of ISO 21501-4 Annex C)			
Dimensions	8.75" (l) x 5.0" (w) x 2.5" (h), (22.23 x 12.70 x 6.35 cm)			
Software	LMS Express, LMS Express RT, LMS Pharma, LMS Pro, LMS Xchange			
Languages	English (U.S.), Deutsch, Espanol, Italiano, Français, Russian, Japanese, Korean and Chinese			

Includes: Removable battery, direct mount isokinetic sample probe; purge filter; temperature/relative humidity probe; power supply; power cord

Optional: Carry Case, Isokinetic sample probe with 6ft tubing, additional Li-Ion batteries, external battery charger w/AC & car adapter, thermal printer and printer cable, printed operating manual

Distributed by:

vali.sys
we prove clean air



Scan to Learn More